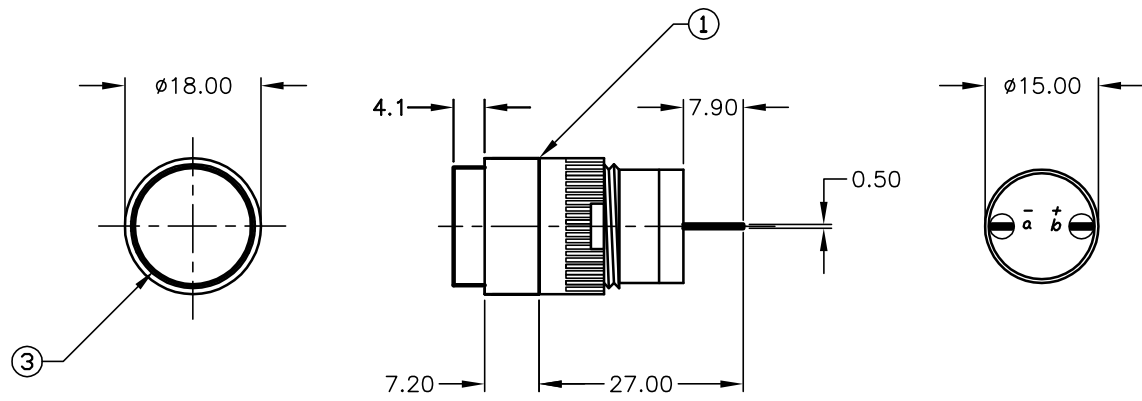


RECOMMENDED PANEL MOUNTING

| PARTS LIST |      |          |                      |
|------------|------|----------|----------------------|
| ITEM       | QTY. | PART NO. | PART DESCRIPTION     |
| 1          | 1    | F040003  | L16 PL R1 00         |
| 2          | 1    | F050422  | 50-004-22 (GRN LED)  |
| 3          | 1    | F050112  | 50-001-12 (GRN LENS) |



a-(L)-b (+)

CIRCUIT: PILOT INDICATOR

NOTES:

1. ALL DIMENSIONS IN MM
2. GENERAL TOLERANCE: X.X=±0.4  
X.XX=±0.25
3. RATINGS: 1A, 2A, 4A, 5A @250V AC
4. CONTACT MATERIAL: COPPER ALLOY W/Silver Plating

**E-SWITCH®**

|      |         |                        |        |      |
|------|---------|------------------------|--------|------|
| A    | 13689   | RELEASE FOR PRODUCTION | 1/9/04 | AR   |
| REV. | ECN No. | DESCRIPTION            | DATE   | CHKD |

|       |                      |  |  |  |
|-------|----------------------|--|--|--|
| TITLE | L16 PL R10 K GRN GRN |  |  |  |
|-------|----------------------|--|--|--|

|       |        |    |         |     |
|-------|--------|----|---------|-----|
| SCALE | DATE   | DR | DWG     | REV |
| 1:1   | 1/9/04 | AR | XF0270P | A   |

THE INFORMATION CONTAINED IN THIS DOCUMENT IS PROPRIETARY TO E-SWITCH AND IS NOT TO BE COPIED OR TRANSFERRED